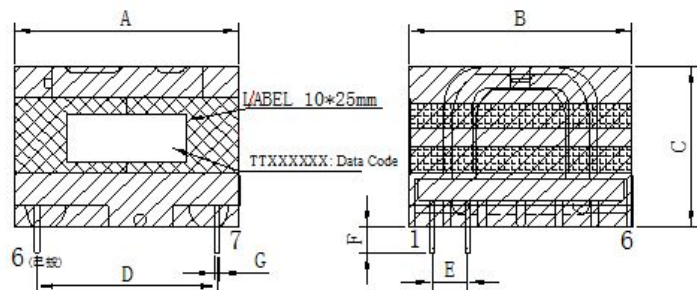


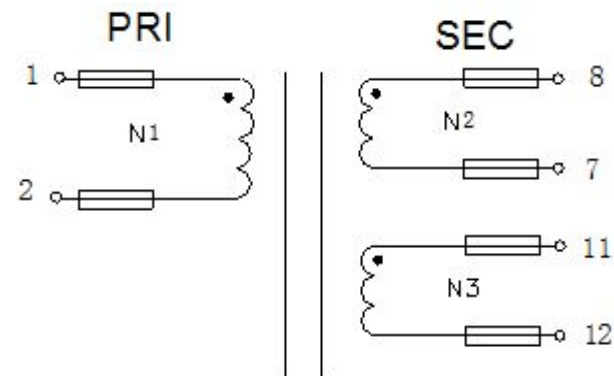
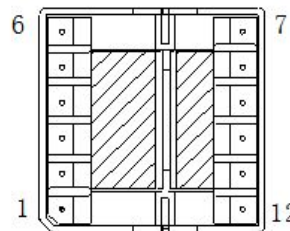
CUSTOMER TERMINAL	ROHS	Lead(Pb)-free
	YES	YES

## 1. Mechanical Dimensions



A	36.5	MAX
B	36.8	MAX
C	26.8	MAX
D	28.0	±0.4
E	5.5	±0.3
F	4.0	±0.5
G	0.8	±0.1

## 2. Schematic Diagram



## 3. Material List

Core:FW44 ETD34

Bobbin:FWB3404(6+6PIN) FWB3404-1(COVER)

Wire:LITZ TIW 2UEW

Copper foil:0.025t\*10.0mm

Operating Temperature: -30 to115 °C

## 4. Electrical Specification

Inductance :  $L(1-2):550\mu H \pm 5\%$  50KHZ , 1.0V

Leakage Inductance :  $149.4\mu H \pm 5\%$  50KHZ , 1.0V

DCR : (1-2)=208mΩ MAX (8-7)=208mΩ MAX

Hi-Pot:P-S: AC 60Hz 4000V 1mA 3S

P、S-CORE: AC 60Hz 2000V 1mA 3S

REV.	DATE	<p>Convention Placement</p>	DRW.		Drawing Title:	Part No:
0	00/00		CHK.			
			APP.		Customer P/N	Specification Sheet 1of 1

**ROHS**

[www.ferriwo.com](http://www.ferriwo.com)